



**INSTRUCTION MANUAL**

**CAT 1200CSL – 1400CSL  
STABILITY INCUBATORS**

**CONTHERM SCIENTIFIC LIMITED  
P O BOX 30-605 LOWER HUTT 5040**

**TEL: (0064-4) 568 8034**

**FAX: (0064-4) 568 8095**

**EMAIL: [contherm@xtra.co.nz](mailto:contherm@xtra.co.nz)**



## **WARRANTY STATEMENT**

**\* \* \* \* \***

**CONTHERM Scientific Company will guarantee CONTHERM equipment for a period of twelve months from the date of installation against faulty workmanship and fabricated materials. This guarantee covers the replacement of component parts found to be defective and authorised labour charges during this period.**

**Should a malfunction occur or condition develop beyond reasonable acceptance the company will accept responsibility for returning the unit to its factory specification at no cost to the Purchaser providing that the operating instructions have been observed and the defect is due solely to faulty design, material and workmanship. That the defective part be returned, freight paid to the nearest sales service office. Units outside the warranty period will be accepted and repairs will be covered under an extension of the above for 90 days.**

**In remote installations where it is not possible for the company's or agents' engineers to attend, authority may be given to allow the Purchaser to arrange such service.**

**The Purchaser is required to remit the purchase price of the unit to the supplier within the terms of that supplier's condition of sale. CONTHERM Scientific Company will accept no liability or shall its agents for consequent damage of any kind due to a malfunction or component failure.**

**\* \* \* \* \***



## STATEMENT of CONFORMITY

This **CONTHERM** cabinet conforms to the following standards:

- **Electrical Safety:** Complies with AS/NZS3350:1:1994
- **EMC:** Complies with EN 61326-1:1997



# CONTENTS

- SECTION 1** Definition of Terms
- SECTION 2** Introduction and Specifications
- SECTION 3** Operating Instructions
- SECTION 4** Theory of Operation
- SECTION 5** Customer Troubleshooting and Maintenance
- SECTION 6** Parts Lists for Spares and Accessories

## **IMPORTANT**

All electrical servicing **must** be carried out by suitably qualified personnel only.

## SECTION 1 DEFINITION OF TERMS

For the purpose of our standard specifications the following definitions shall apply:

- a) **WORKING SPACE**  
That portion of the internal space which is above the lowest shelf and not less than 3cm from any wall (including roof).
  - b) **CABINET TEMPERATURE**  
That temperature at the centre of the working space.
  - c) **SPATIAL VARIATION**  
The difference between the midrange of all measured temperatures obtained at one site and that at another site for those sites which give the greatest difference.
  - d) **TEMPORAL VARIATION**  
The maximum value of the temperature range obtained for the standard site with the greatest range throughout the test interval.
  - e) **TEMPERATURE OVERSHOOT**  
Any excess of actual over desired cabinet temperature during a heating up period.
  - f) **TEMPERATURE REPRODUCIBILITY**  
Temperature regained without alteration to controls.
  - g) **TEST INTERVAL**  
Interval of time to which the steady state characteristics apply (Max 1 hour).
- NB:** All the above apply with an **empty** chamber.  
For definitions and test methods refer: **AS2853 : 1986** (and Appendices)

## SECTION 2 INTRODUCTION AND SPECIFICATIONS

The CONTHERM 1200 – 1400CSL Range of Cooled STABILITY cabinets has been expressly designed to give the widest choice of operating conditions consistent with high reliability and low cost, the addition of microprocessor control gives additional versatility and resolution while improving the degree of temperature control.

All specifications are quoted for a cabinet temperature of 25°C with an ambient temperature of 20°C.

- **Construction** - High quality stainless steel interior, full fibreglass insulation, with non-jar magnetic door catch and corrosive resistant epoxy powder coated exterior.
- **Safety** - Fitted with an independent user adjustable Hi-Limit completely separate from normal controls.
- **Convection** - All units come with mechanical convection fan systems.
- **Electrical** - All quoted at 25°C - ZP21 Micro-Controller mechanical Convection.

### PERFORMANCE:

#### a) Temperature:

Nominal Range	20°C - 50°C
Specified Range	25°C - 40°C
Temporal Variation	± 0.2°C
Spatial Variation	± 0.6°C
Initial Overshoot	+2.0°C
Reproducibility	±0.4°C
Dial resolution	0.1°C
Operating Ambient	10°C - 35°C
Mains Voltage Range	220-250 AC 50Hz

#### b) Relative Humidity:

Nominal Range	(25°C – 40°C)	55% to 80% RH
Specified Range	(25°C – 40°C)	60% to 75% RH
Stability (Water tray fitted) @ 65%		± 3% RH

**NB:** Maximum & minimum achievable humidity will depend on ambient temperature.

#### c) Timer:

Timing range	1 minute - 99 hours 59 minutes
Timing Resolution	1 minute

**NB:** Timer does not start timing down **UNTIL** within 2.5°C of the temperature **SET POINT**.

## SECTION 3 OPERATING INSTRUCTIONS

This appliance is NOT intended for use by young children or infirm persons without supervision.

To set up unit for operation after unpacking and checking for damage proceed as follows:

- 1) Fit shelf runners, then shelves.
- 2) Place humidity tray on floor of cabinet, fill to within 15mm from top with water (typically 750 –1000ml) and push so that the sloping side firmly touches the rear wall. Ensure drain hose enters tray.(Only if fitted with internal drain hose).
- 3) Select a location handy to a 10amp electrical outlet.
- 4) Bench Units -- Place on solid top with clearance underneath to allow ventilation around entire cabinet.
- 5) Ensure a space of at least 150mm is allowed at the rear of the cabinet for air circulation.

**NB:** Ensure **ALL** of the distinctly coloured cable ties (If fitted inside cabinet) are **REMOVED BEFORE** operating the incubator.

### OPERATING CONTROLLER:

- 1) Plug cabinet into 220-250V Mains outlet.
- 2) Turn on main switch - The LED display panel should show all 8888s then display the current temperature in the cabinet.
- 3) Press and HOLD the temperature button (top) UNTIL the 'SET' LED comes ON then RELEASE. The 'SET' LED above the LED display should now be ON!
- 4) While the 'SET' LED is ON use the 'UP' & 'DOWN' buttons to adjust the SET POINT to the desired temperature.
- 5) WAIT for the display to return to normal; the 'SET' LED will then go off.

The TIMER must now be set to run the cabinet –

- 6) Press and HOLD the timer button (bottom) UNTIL the 'SET' LED comes ON then RELEASE. The 'SET' LED above the LED display should now be ON!
- 7) While the 'SET' LED is ON use the 'UP' & 'DOWN' buttons to adjust the SET POINT to the desired run time.
- 8) WAIT for the display to return to normal; the 'SET' LED will then go off.

To obtain the special '[.]' symbol for continuous operation, first adjust the timer down until '0.00' is reached, then press the down button once more to get '99:59' then the 'up' button to go 1 step above '99:59' the special '[.]' symbol should now be shown.

**NB:** the symbol '[.]' means run **CONTINUOUSLY**.

Setting the TIMER to **0.00** turns the cabinet **OFF**.

If the cabinet has **TURNED OFF** after the completion of a TIMED operating period it is only necessary to PRESS and HOLD the TIMER button until the 'SET' led comes on to **REPEAT** the TIMED run.

The cabinet will now attempt to obtain the SET POINT and control until the TIMER runs out of time. The cabinet **WILL NOT OPERATE** if the **TIMER** has been set to **0.00**.

- 9) To look at the current TIME press the 'TIME' button for 2 seconds - the amount of time left will now be displayed continuously.  
To display the TEMPERATURE continuously - press the 'TEMP' button for 2 seconds.
- 10) To set the desired Relative Humidity – PRESS and HOLD the centre '%RH' button until the 'SET' led comes on – adjust to the desired setting using the 'UP' & 'DOWN' buttons. When finished release all buttons until normal operation is resumed.

**NB:** Ensure the mechanical user HI-LIMIT is set correctly as described in the following section. The cabinet usually leaves the factory with the user HI-LIMIT set fully anticlockwise, if left in this position the HI-LIMIT will not allow the cabinet to heat and control correctly.



## FOR YOUR SAFETY

### MECHANICAL HI-LIMIT MONITOR

The mechanical hi-limit is provided as a secondary safety device to protect the cabinet from over temperature in the event of electronic controller failure.

#### To set the Mechanical Hi-Limit

Turn the Hi-Limit control FULLY CLOCKWISE.

Allow the cabinet to stabilise at the required operating temperature (for at least 1 hour), then turn the Hi-Limit control anti-clockwise until the **MONITOR** neon comes on (or a slight 'click' is felt). Now turn the Hi-Limit control **SLOWLY CLOCKWISE** until the **MONITOR** neon goes off (or a slight 'click' is felt), then advance the Hi-limit clockwise 1-2 scale markings. This will set the Hi-Limit trip point about 3 - 4°C above the current cabinet temperature.

**WARNING:** To prevent FIRE or SHOCK hazard, DO NOT expose this product to rain or any type of moisture.

To ensure safe operation the three-pin plug supplied must be inserted **ONLY** into a standard three-pin power outlet that is effectively earthed through the normal building wiring.

Extension cords are NOT recommended.

The fact that the equipment operates satisfactorily does NOT imply that the power outlet is earthed and that the installation is completely safe. For your safety, if in any doubt about the effective earthing of the power outlet, consult a qualified electrician.

This appliance should be periodically tested according to the procedures prescribed in **AS/NZS 3760**.

The basic safety checks and tests on electrical appliances required by **AS/NZS 3760** are:

1. A visual check to ensure that there is no mechanical damage to the supply cord, that controls etc. are in good working order and that no parts are missing.
2. An earth continuity test.
3. An insulation resistance test.

In order to provide evidence of compliance, a label (signed and dated by the person testing the equipment) may be placed on the tested appliance.

## ALARMS

All alarms are indicated by a number and three dashes on the LED and are accompanied by an audible alarm.

To **CANCEL** any Alarm (ie 1---) PRESS and HOLD the `TEMP' button until the 'SET' LED comes ON.

### ALARM MEANING

- 1--- This means the cabinet is OVER or UNDER temperature. If UNDER temperature it could be due to the door being opened, otherwise check the cabinet to determine if the Internal fan is still operating and that the MECHANICAL Hi-Limit control is not interfering with normal operation.
- 3--- Preset alarm - The cabinet has lost its control settings due to an internal memory failure. Reset all control settings as desired.
- 4--- This means that the TEMPERATURE sensing probe has failed (1000 $\Omega$  RTD). The connections to the probe and the probe condition should be investigated.
- 5--- The HUMIDITY sensing probe has failed, - this alarm will also display if the relative humidity falls below 15% RH. The probe should be checked and if necessary replaced. At higher temperatures this alarm may occur if the doors are left OPEN.
- 6--- The relative humidity has fallen below 50%RH for 60 minutes. Ensure timer is correctly set and that there is sufficient water in the water tray inside the cabinet at bottom.
- 9--- This is a WATCHDOG alarm - The Electronic PCB has failed - Replace the controller.

## CALIBRATION

Calibration should be carried out at 25.0°C and 65%RH (Factory settings) or at the temperature of interest, with the thermometer in the centre of the working chamber with the chamber empty.

**NB:** A Stability incubator will typically cool to a minimum temperature of 6°C below the current ambient temperature, the calibration temperature must be within the achievable operating range of the Stability incubator.

- 1) Place the Calibration Thermometer probe in the workspace centre, close the door and set the controller for 25.0°C or the temperature of interest, allow at least 1 hour to stabilise.
- 2) Read the temperature on the Calibration Thermometer.
- 3) To calibrate the cabinet -
  - a) Press and HOLD the `TEMP' button until the `SET' LED comes ON and then release. The `SET' led should now be ON.
  - b) WHILE the `SET' led is ON: Press BOTH `UP' & `DOWN' buttons **TOGETHER** - a beep will be heard and the word `CAL' will appear briefly on the LED display. Adjust the reading on the LED display using the `UP' & `DOWN' buttons until it agrees with the Calibration Thermometer.

**NB:** If when attempting to press BOTH buttons together, the temperature SET POINT adjusts either up or down - it means you are NOT pressing BOTH buttons at the SAME TIME! - if the `SET' led is still on you should attempt 3(b) again, if the `SET' led is OFF you should repeat from 3 (a).
  - c) WAIT for a further beep to occur, the LED will briefly show `----' and then the **CALIBRATION CONSTANT**, this will be a number in the range 0.0 to 19.9. This figure SHOULD BE NOTED as it may be used to return to this calibration setting. The LED will then briefly show another `---' and the controller will resume its role of normal operation.

**NB:** If a '[[[[[' sign appears on the display the cabinet is OUTSIDE its calibration display range and calibration should be performed at a slightly higher temperature.
- 4) Allow to stabilise again - the DISPLAY temperature should now match the calibraton instrument. If NOT then repeat the procedure.

**NB:** The calibration can only be performed within limits, if the calibration cannot be achieved a further fault exists.

## HUMIDITY CALIBRATION:

Calibration of the HUMIDITY sensor is carried out by the following method:

- 1) PRESS and HOLD the '%RH' button until the 'SET' led comes on then release. Press the '%RH' button – a **HUMIDITY CALIBRATION CONSTANT** (a number in the range 0.0 to 6.0) will now appear, use the 'UP' and 'DOWN' buttons to INCREASE or DECREASE this number to RAISE or LOWER the humidity reading. The range of humidity adjustment is about  $\pm 10\%$ . The CALIBRATION CONSTANT should be noted so that the correct calibration may be restored if it is lost for any reason.

## NOTES:

**Outer Door Heater:** These cabinets are fitted with a silicon wire outer door heater (45W-60W). The temperature of the door heater is set by adjusting a simmerstat located inside the cabinet top wiring bay. This simmerstat has been factory set to apply the correct amount of heating to the door.

The power supply transformer for the door mounted chart recorder (if fitted), is plugged into a dedicated power outlet mounted inside cabinet top wiring bay. This power outlet **MUST NOT** be used to power any other equipment. The D.C voltage output supplied to the chart recorder is +12V.

If power to the cabinet is turned off for any reason, it may take 10-15 minutes for the refrigeration compressor to restart due to the refrigeration gases being unbalanced. The cabinet may take up to an hour or more to regain the original control conditions depending on how long the power was turned off.

## VERIFYING CABINET PERFORMANCE

There are two basic tests that may be carried out to verify cabinet performance.

**NB:** These tests MUST be carried out with the cabinet EMPTY and at the specified ambient of +20°C.

### TEMPORAL PERFORMANCE:

The cabinet should be set to operate at the Contherm specified calibration conditions.

Temporal performance is tested by placing a suitable (calibrated) test probe in the centre of the workspace and recording the readings for up to 1 hour AFTER the cabinet has FULLY STABILISED.

The cabinet has fully stabilised when the average temperature is no longer increasing or decreasing over time.

The result should be within the quoted specification.

This result is a function of the cabinet control system, sensor and airflow.

### SPATIAL PERFORMANCE:

The cabinet should be set to operate at the Contherm specified calibration conditions.

Check Spatial Variation @ 25°C

*(Refer manual for specification, 8 points as per diagram)*

[6R]	[4C]	[3R]	TOP
[8C]	[1C]	[ ]	CEN
[2F]	[7C]	[6F]	BOT

*(Where F=Front, C=Center, R=rear)*

Spatial performance is tested by placing suitable (calibrated) test probes (usually thermocouples) in the eight specified positions and recording the readings for up to 1 hour AFTER the cabinet has FULLY STABILISED.

The cabinet has fully stabilised when the average temperature is no longer increasing or decreasing over time.

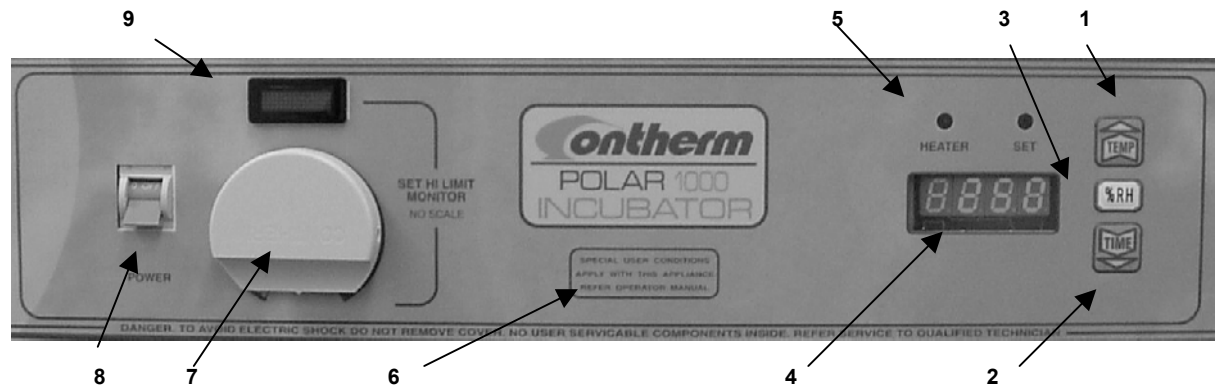
The sensors must be no closer than 30mm to any wall or roof and must be above the lowest shelf position by at least 30mm.

The result should be within the quoted specification.

This result is a function of the cabinet design and air distribution.

The spatial test must be performed with the cabinet EMPTY, all doors, vents etc CLOSED and the measuring sensors must be very closely matched at the specified temperature.

## CONTROL LAYOUT



- 1 Temperature adjustment button.  
(Also used to adjust set points)
- 2 Time adjustment button.  
(Also used to adjust set points)
- 3 %RH Selection Button
- 4 LED Display - Gives readout of temperature in degrees centigrade OR elapsed time in hours and minutes.
- 5 LED Indicators - Left LED indicates when the heating element is ON. Right LED indicates when controller is in SET mode.
- 6 Refer "Caution" Instructions.
- 7 Mechanical Hi-limit set Adjustment Knob (No Scale).
- 8 Mains Switch and Circuit Breaker (10A) combined.
- 9 Hi-Limit Monitor Neon- will come on if power is being applied to heater element while mechanical Hi-Limit is tripped.

## SECTION 4 THEORY OF OPERATION

This CONTHERM General Purpose Incubator uses a single chip microprocessor electronic PID controller with a 1000 $\Omega$  Resistance RTD probe as the temperature sensing element. The LED display gives a direct readout of the SET POINT or Cabinet temperature in degrees centigrade.

The air inside the incubator is circulated by a small stirring MOTOR which draws air in at the top of the chamber and discharges it down behind a false back to the bottom, resulting in a vertical air flow.

The sheathed HEATING ELEMENT is located adjacent to the air rotor such that the discharged air passes over the active portion of the element.

The chamber temperature is measured by a RTD SENSOR the resistance of which increases with increasing air temperature. This change of resistance is used by the ZP21 CONTROLLER to regulate the cabinet temperature to the desired value.

Setting and Calibration of the chamber temperature is performed via the adjustment buttons and is stored in non volatile memory. Settings will typically be retained for up to 100 years even in the absence of power.

The type of cabinet (INCUBATOR, OVEN, C or MCP) is selected at the factory by special button sequences during the power on period and stored in the non volatile memory.

An internal glass door allows the contents to be viewed without disturbing the internal temperature.

Relative Humidity is measured by a Capacitive Sensing Element .

The control of the humidity level in the cabinet is achieved by adjusting the temperature of the refrigeration evaporator by means of a RAPID-ACTION solenoid valve. The refrigeration system runs continuously and the valve is cycled every 10 seconds.

## REFRIGERATION

### Refrigeration Maintenance

If the unit is going to be stored for some period after the refrigeration has been used for some length, a drying out period is necessary to remove moisture from the element well. This could be done by setting a temperature of approximately 35°C and have the unit operating with the door slightly ajar to allow for the drying out of the moisture in the interior.

Once the unit is suitably dried it can be closed up and stored without further problems.

### REFRIGERATION DATA:

#### **1200CSL**

COMPRESSOR: KIRBY BA5MHG or L'Unite THB4415YBR  
CONDENSER: S12/21  
COOLING COIL: G6/21/HG  
HOT-GAS VALVE: Sporlan XWG  
REFRIGERANT: R134a  
REFRIG CONTROL: Capillary Type 5/044  
DRYER: Sweat Type 245/XH9

#### **1300CSL**

COMPRESSOR: KIRBY BA5MHG or L'Unite THB4415YBR  
CONDENSER: S16/21  
COOLING COIL: G8/21/HG  
HOT-GAS VALVE: Sporlan XWG  
REFRIGERANT: R134a  
REFRIG CONTROL: Capillary Type 5/044  
DRYER: Sweat Type 245/XH9

#### **1400CSL**

CONDENSER: S20/21  
COOLING COIL: G10/21/HG  
HOT-GAS VALVE: Sporlan XWG  
REFRIGERANT: R134a  
REFRIG CONTROL: Capillary Type 6/044  
DRYER: Sweat Type 245/XH9

The Refrigeration System is designed to maintain the internal Cabinet Temperature of 20°C - 40°C with ambients up to 20°C.

Components of the System are shown on the Schematic Diagram.

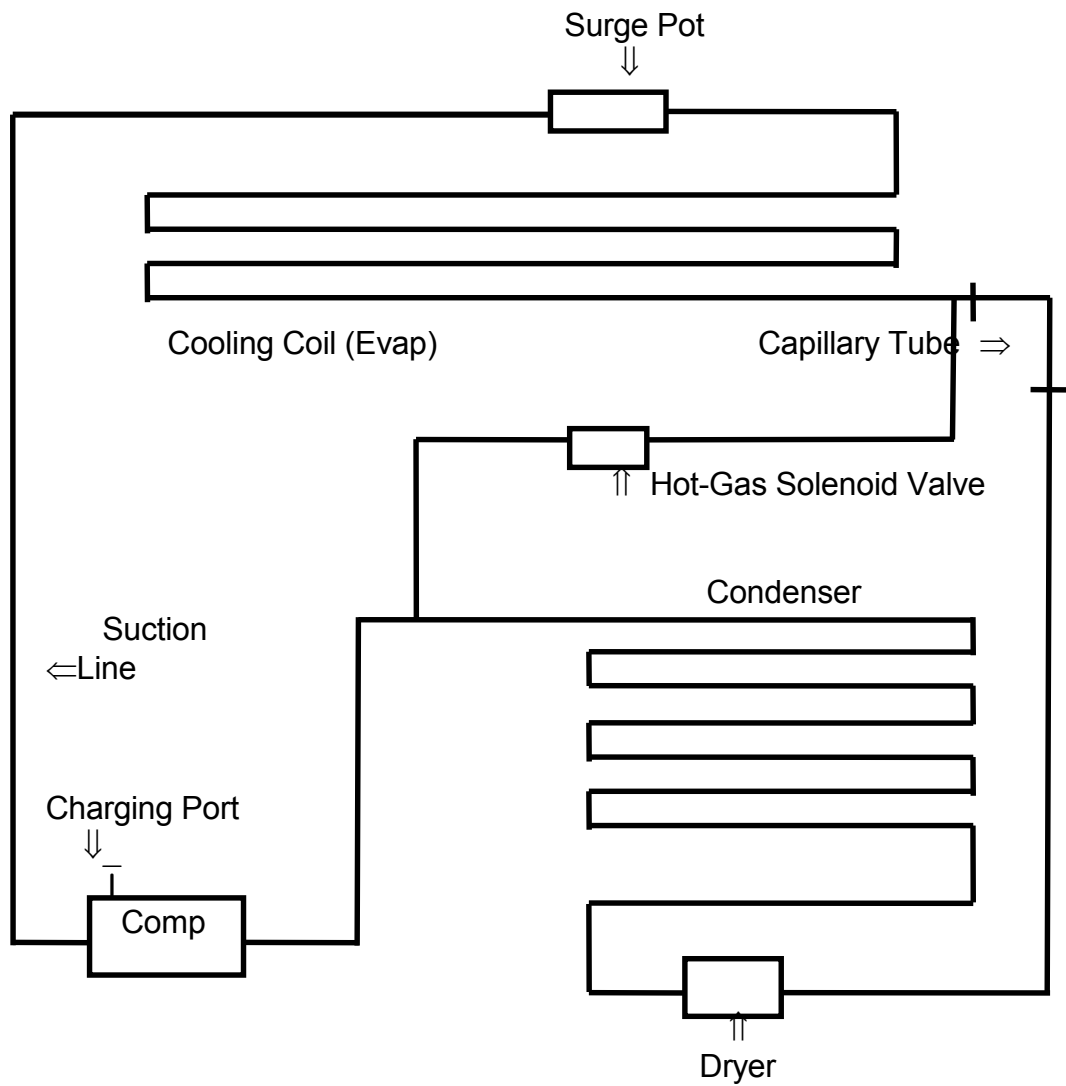


The Cooling Coil under normal operating conditions does not build up frost.

The Condensate Water from the Cooling Coil is recirculated back into the internal humidity tray.

The Refrigeration System Condenser located on the External Rear of the Cabinet is cooled by natural convection, therefore, it is important to ensure no obstructions are placed to prevent normal ventilation around the Cabinet. The Condenser will slowly collect a layer of dust, therefore, it is recommended that once a year it is brushed clean with a small broom. The refrigeration compressor is cooled by fan assisted air.

## REFRIGERATION SCHEMATIC DIAGRAM



### COMPONENT LOCATION

**Inside Cabinet Behind False Back:** Cooling Coil, Surge Pot

**External Back of Cabinet :** Compressor, Condenser, Dryer, Hot-Gas Solenoid Valve.

## SECTION 5 TROUBLESHOOTING AND MAINTENANCE

### MAINTENANCE

The epoxy powder coated mild steel exterior is resistant to corrosion and spillage's and should be wiped with a damp cloth occasionally to maintain its appearance.

The fan motor bearings do not require lubrication under normal conditions.

The stainless steel interior and shelves should be kept clean with a damp cloth. Take care that the temperature probe is not damaged during cleaning of the interior base.

Any spillage or breakage within the cabinet should be cleaned up immediately with the cabinet switched off and unplugged at the mains.

### ELECTRICAL SAFETY

This appliance should be tested for insulation and earthing continuity at regular intervals according to **AS/NZS 3760**.

The basic safety checks and tests on electrical appliances required by **AS/NZS 3760** are:

1. A visual check to ensure that there is no mechanical damage to the supply cord, that controls etc. are in good working order and that no parts are missing.
2. An earth continuity test.
3. An insulation resistance test.

In order to provide evidence of compliance, a label (signed and dated by the person testing the equipment) may be placed on the tested appliance.

## **TROUBLESHOOTING:**

- A) **CABINET COMPLETELY DEAD:**
  - Check wall socket and wall socket circuit breakers.
  
- B) **LARGE TEMPERATURE VARIATION IN CABINET, CONTROLLER 'HEATER' LED PULSING :**
  - Internal fan not operating (Check for air movement inside cabinet).
  - Cabinet OVERLOADED with samples, remove some samples to allow for better air movement.
  - Look for HI-LIMIT Monitor neon coming on, if so indicates mechanical Hi-Limit is set too low.
  
- C) **CABINET NOT CONTROLLING AT TEMPERATURE, 'HEATER' LED NOT FLASHING :**
  - Check that the timer has been correctly set, if the timer is set to '0:00' the cabinet will NOT operate.

The ZP21 PCB is equipped with a green "HEARTBEAT" LED adjacent to the large buzzer. When the cabinet is operating this LED should be PULSING about once per second. There are also TWO small glass fuses to protect the PCB. **REMOVE ALL** power from the unit (By removing the mains plug) **BEFORE** attempting to check these fuses.

## REMOVAL AND REPLACEMENT OF ZP21 CONTROLLER PCB

The following should only be carried out by suitably qualified electrical personnel.

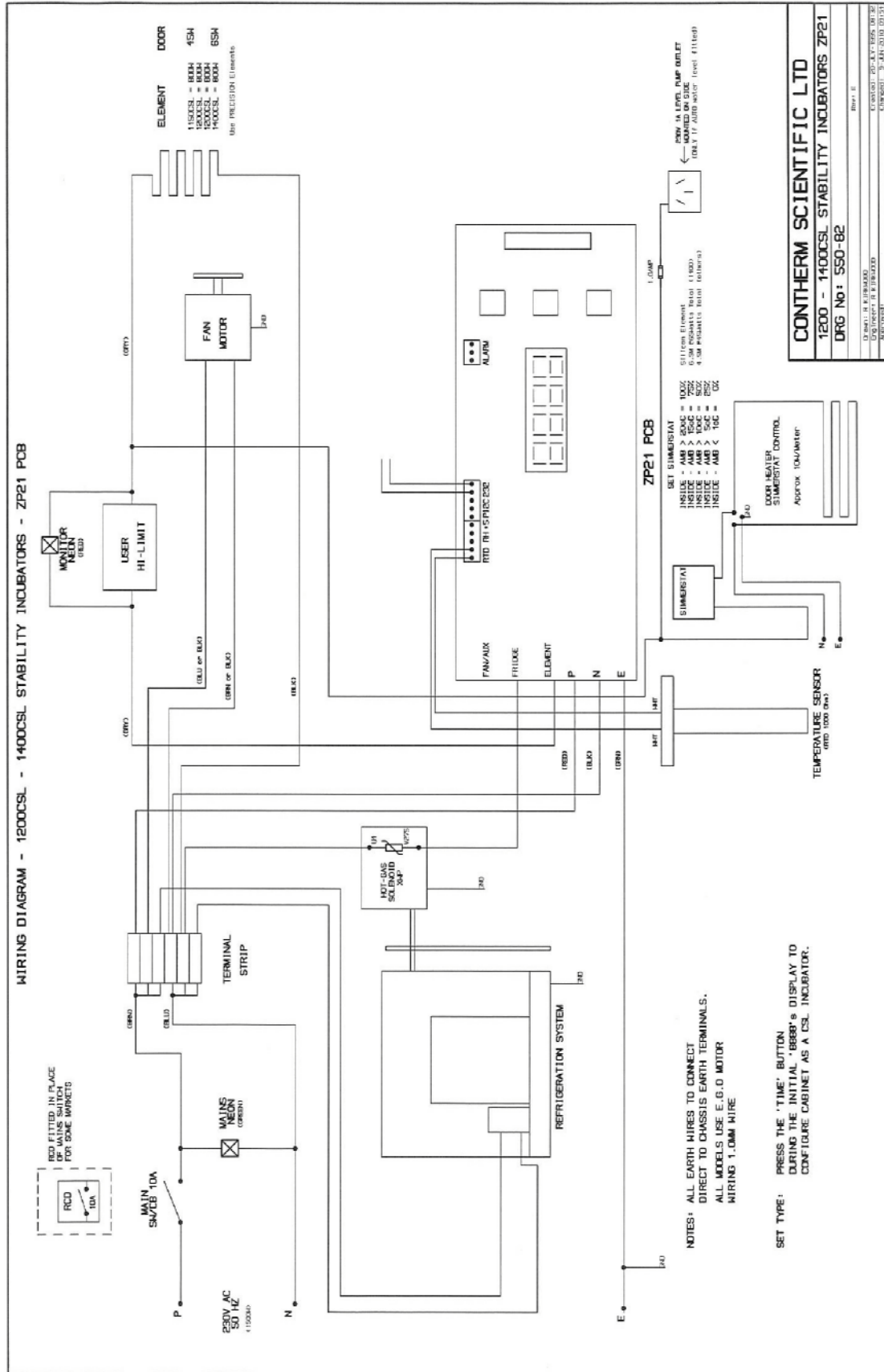
**NB: ENSURE** that power cord has been **REMOVED** from the wall socket **BEFORE** attempting to remove the PCB.

- a) Loosen the two black plastic fasteners holding the cabinet lid down by turning then anticlockwise until they pop up. Slightly lift the lid up at the front, detach the lid EARTH wire connector and remove the lid from the cabinet.
- b) Remove the two self tapping screws at either end of the control panel and rotate the panel up so that it rests on the cabinet top.
- c) **ENSURE POWER CORD is REMOVED** from wall socket then Unplug socket from Controller PC Board. NOTE connections from side 10way socket to sensor probe etc so that they can be correctly reinstalled, then disconnect probe etc from socket.
- d) Using suitable socket undo four 4mm securing nuts. Carefully NOTE position and size of SPACERS
- e) Remove PC Board.  
List FULLY all fault details, carefully pack, return to Agent for repair. ALWAYS supply contact details and FULL physical return address.  
The refitting of the controller should be done in the reverse order as above, taking care when reconnecting the sensor etc that they are connected to the correct socket holes.
- f) Carry out Insulation (use 500V insulation tester) and earth continuity check BEFORE applying power to cabinet. (as per **AS/NZS 3760** – In-service safety inspection and testing of electrical equipment).  
The basic safety checks and tests on electrical appliances required by **AS/NZS 3760** are:
  1. A visual check to ensure that there is no mechanical damage to the supply cord, that controls etc. are in good working order and that no parts are missing.
  2. An earth continuity test.
  3. An insulation resistance test.

In order to provide evidence of compliance, a label (signed and dated by the person testing the equipment) may be placed on the tested appliance.

**N.B:** Check for loose wires that may have been missed, particularly the earth wires.

# ELECTRICAL GP LAYOUT CSL ZP21 550-82



## SECTION 6 PARTS LISTS AND SPARES

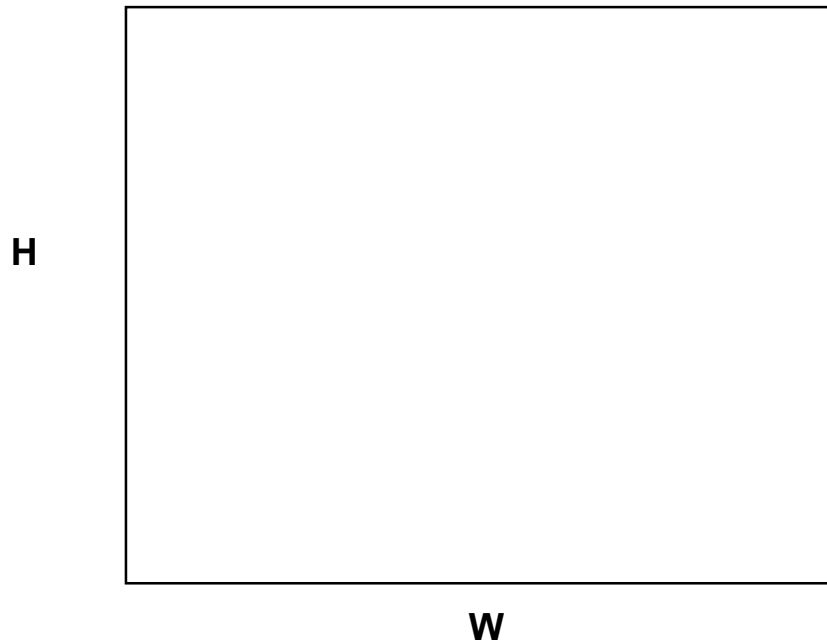
Shelves	Cat 1200-1400CSL	GP1061
Shelf Support Brackets (State Model when ordering)		GP1064
Hinges		GP1006
Fan Motor (E.G.O)		GP1000
Element (precision Tubular)	800W	ELEMENT L
*Temperature Sensor: 1000 $\Omega$ RTD		GP1307
Hi-Limit Thermostat: Incubator		GP1021
Complete Control Panel: CSL COOLED Incubators		GP1035
Control Knob		GP1324
Control Circuit Board: ZP21		GP1306
Mains Switch / Circuit breaker (6A)		
Monitor Neon		GP1073

\*Honeywell HIH-4000-001 Humidity Sensor

**\*NB:** This cabinet uses MEDIUM length sensor tubes.

## GLASS DOOR SIZES

(If purchasing independently)



6.0mm Drawn Sheet - All edges arased.

Cat 1200CSL	636mmH x 700mmW	1 off
Cat 1300CSL	934mmH x 700mmW	1 off
Cat 1400CSL	1236mmH x 700mmW	1 off



**CONTHERM SCIENTIFIC LTD**  
CERTIFICATE OF CONFORMANCE (PQ)



This certifies that the CONTHERM equipment specified below has passed quality and performance tests according to our standard methods and procedures and has been approved for despatch to our customers. Contherm calibration equipment is traceable to a YSI Model 60 gallium melting point temperature standard.

**CAT. No:** \_\_\_\_\_ **APPLIANCE No:** \_\_\_\_\_

**DATE:**.....

<b>FACTORS</b>	<b>TEST RESULTS</b>	<b>CALIBRATION</b>
Test Temperature:	.....	Temperature [    ]
Probe Position:	.....	Humidity [    ]
Date of Test:	.....	
Actual Recorded Temperature	.....	
Temporal Variation	.....	Passed [    ]

**ELECTRICAL TESTS**

Earthing: [    ]  $\Omega$                       Insulation: [    ] **M** $\Omega$

Flash: [    ] **mA**                      Leakage: [    ] **mA**

The electrical tests are satisfactory: [    ]

Signature of Test Personnel .....

**CONTHERM SCIENTIFIC LIMITED**  
**NEW ZEALAND**

**PACKING INSTRUCTIONS**  
 Installation Quality Check List (IQ)  
 (Leave with Cabinet)



**CONTHERM CAT.No**  
 (CSL Incubator)

**App No:**

**Date:** ...../...../.....

<b><u>Accessories Supplied</u></b>	<b><u>Qty</u></b>	<b><u>(IQ)Checked</u></b>
Operating Manual	[ ]	[ ]
Shelf Runners (pairs)	[ ]	[ ]
Shelves	[ ]	[ ]
IEC Mains Lead	[ ]	[ ]
Internal Stainless water tray	[ ]	[ ]
Other.....	[ ]	[ ]

Cabinet Undamaged when Packed [ ]      When Received [ ]  
*(No dents, scratches or obvious damage)*

Certificate of Conformance Completed [ ]      [ ]  
*(Factory test sheet attached)*

Ensure cabinet has been fully tested and approved for packing . [ ]      [ ]

Ensure data plates are fitted. [ ]      [ ]

Interior and exterior clean. [ ]      [ ]

Cabinet Installed as per installation Instructions: [ ]  
*(See SECTION 3 of the operating manual)*

Installation Verification (IQ) Satisfactory: [Y][N]

PACKED BY .....

(IQ)CHECKED BY .....

Date: ...../...../.....

Date: ...../...../.....

# OPERATION VERIFICATION INSTRUCTIONS

Operational Quality Check List (OQ)  
(Leave with Cabinet)



**CONTHERM CAT.No**  
(CSL Incubator)

App No:

Date: ...../...../.....

<u>Operation.....</u>	<u>(OQChecked)</u>	<u>Comments</u>
LED Display working <i>(Manual SECTION 3 – 8888's during powerup)</i>	[ ]	
Able to adjust SET POINTS <i>(Manual SECTION 3 – set for 25.0°C)</i>	[ ]	
Temperature stable @ 25°C <i>(Allow cabinet to stabilise at temperature for 1 hour)</i>	[ ]	
Humidity stable @ 25°C & 65% RH <i>(Ensure tray has water &amp; allow cabinet to stabilise at temperature for at least 2 hours)</i>	[ ]	
Check Alarm Operation <i>(Open door for 30mins after cabinet stabilised)</i>	[ ]	
Check Alarm Cancellation <i>(Manual SECTION 3 – Press 'temp' button until 'set' led on)</i>	[ ]	
Check HI-LIMIT Control <i>(Manual SECTION 3 – turn anticlockwise when stabilised)</i>	[ ]	
Calibrate temperature at 25°C <i>(Manual SECTION 3 – Calibration @ 25 or temperature of interest)</i>	[ ]	

Operational Performance (OQ) Satisfactory: [Y][N]

(OQ)CHECKED BY .....

Date: ...../...../.....

**PERFORMANCE VERIFICATION INSTRUCTIONS**



Performance Quality Check List (PQ)  
(Leave with Cabinet)

**CONTHERM CAT.No**  
(CSL Incubator)

**App No:**

**Date:** ...../...../.....

**Operation.....**

**(PQChecked)**

**Comments**

Check Temporal Variation @ 25°C [ ]

*(Refer manual for specification, cabinet empty, center only, see verifying cabinet performance in the manual)*

Check Humidity Stability @ 25°C & 65% [ ]

*(Refer manual for specification, cabinet empty, center only)*

Performance Verification (PQ) Satisfactory: [Y][N]

(PQ)CHECKED BY .....

Date: ...../...../.....

**CONTHERM SCIENTIFIC**  
 CUSTOMER INSTALLATION REPORT

Please fill in and return to:

**CONTHERM SCIENTIFIC LIMITED**  
**DEVELOPMENT SECTION**  
**P.O. BOX 30605**  
**LOWER HUTT**  
**NEW ZEALAND**

1) Did your cabinet arrive in good condition? **YES / NO**

2) Any difficulties experienced in setting up? **YES / NO**  
 Comments:

3) Is this your first CONTHERM purchase? **YES / NO**

4) Any previous problems of a specific nature with CONTHERM products? **YES / NO**  
 Comments:

5) Any suggestions for improvements or special features you would like to see -  
 Comments:

6) **Cabinet Details**      **Catalogue No:**      **CAT**                                      **(ZP21)**

**Appliance No:**      .....

**Date Installed:**      .....

**Company:**      .....

.....

.....

**COUNTRY:**      .....

**Contact Name:**      .....

**PHONE:**      .....      **Email:** .....